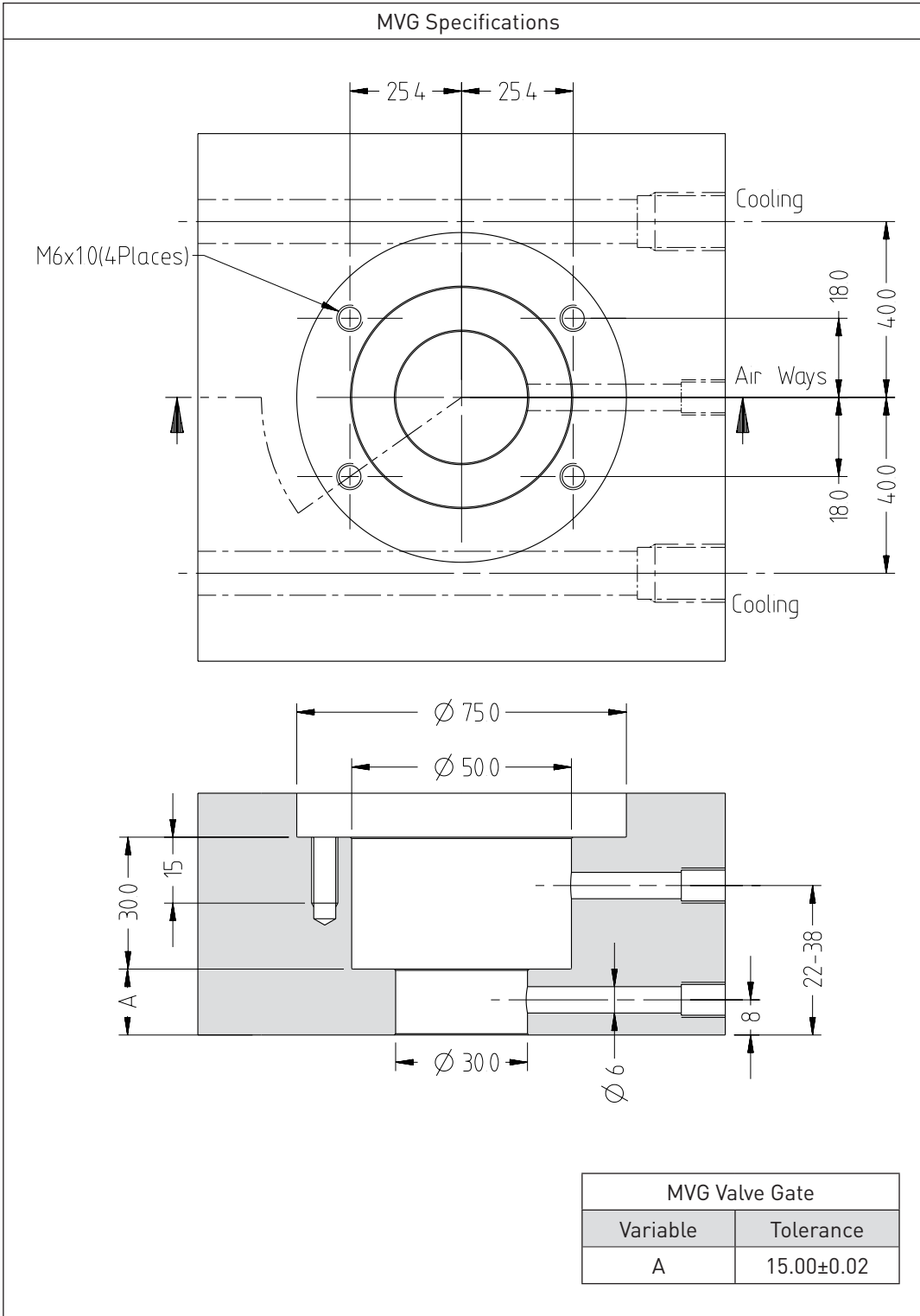


MVG Pre-Installation Checksheet

Project Details

Distributor Name:	
Customer Name:	
Customer Reference #:	
Mastip Reference #:	
Date:	

MVG Specifications



Cavity Dimensions

Cavity #	A
1	
2	
3	
4	
5	
6	
7	
8	
9	
10	
11	
12	
13	
14	
15	
16	
17	
18	
19	
20	
21	
22	
23	
24	
25	
26	
27	
28	
29	
30	
31	
32	